



A205

MANUAL OPERATING TABLE

Registration code: SKF-C



SAIKANG Medical

Healthier
your life

A205

FEATURES AND HIGHLIGHTS

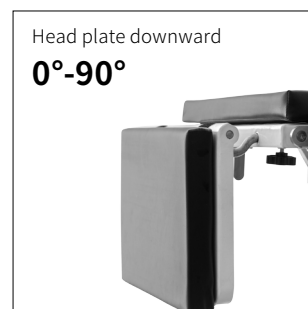
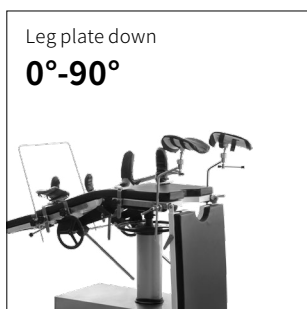
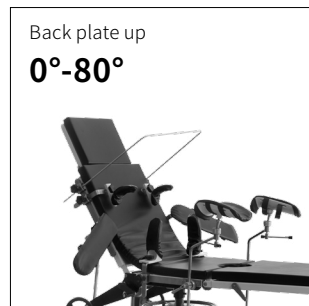
Technical parameters

▪ External size (LxWxH):	2000x480x(700-960)mm
▪ Head plate up/down:	45°/90°
▪ Back plate up:	0-80°
▪ Leg plate down:	0-90°
▪ Safe working load:	150kg
▪ X-rays translucent:	NO
▪ C-arm compatible:	NO
▪ Multi-functional orthopedic frame:	YES

Technical configuration

<input checked="" type="checkbox"/> Arm support	2 pcs
<input checked="" type="checkbox"/> Leg support	2 pcs
<input checked="" type="checkbox"/> Body Support	2 pcs
<input checked="" type="checkbox"/> Shoulder Support	2 pcs
<input checked="" type="checkbox"/> Anaesthetic Screen	1 pc

Professional functions



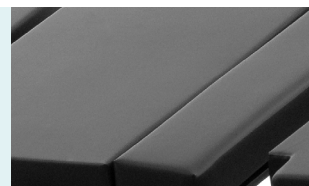
Material

Base structure is made of high-quality 304 stainless steel, robot welded with high strength and modern appearance. Table top is made of steel through epoxy painting, ASTM testing anti-bacterial.



Mattress

Removable memory mattress. Good resilience, anti-static, antibacterial, impact resistant.



Control System

All the functions are manual controlled by screw and rack.



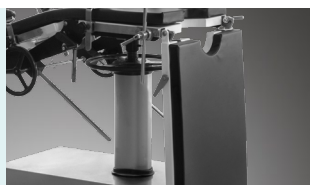
Structure

Full mechanical structure. Simple maintenance, low failure rate.



Leg board

Leg board can be folded down by adjusting the small handle. Leg board down: max. to 90°.



Armrest



Anesthesia Frame



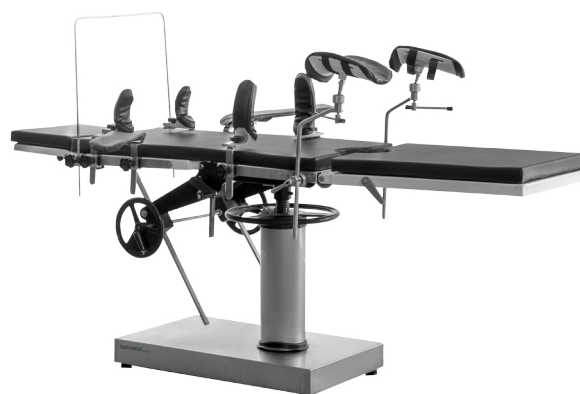
Leg Crutches



Shoulder Support



Body Supporter





CONSTANT INNOVATION



Design



Research



Manufacturing



Maintenance



Service



WORLDWIDE BRANCHES

South America Branch

Saikang Medical Technology, Inc

W3400 Corrientes, Argentina
TEL: +55 (11) 2758-0438
Rua Universal, Hollywood,
São Bernardo do Campo,
Brazil
TEL: +55 (11) 2758-0438

East Africa Branch

Saikang Medical Technology Ltd

Mezzanine Floor, Taj Tower,
upper hill, nairobi, Kenya
TEL: +254714084806

South East Asia Branch

Saikang Medical Technology Ltd

Sala Thammasop Subdistrict
Thawi
Watthana District
Bangkok Thailand
TEL: +66 642741046

UK Branch

Uk Healthward International Limited

DEPT 111,
196 High Road Wood Green,
London, N22 8HH
United Kingdom
TEL: +31 (0) 202111106

Russia Branch

LLC 'SAIKANG'

454004, Russian Federation,
Chelyabinsk,
Universitetskaya
Naberezhnaya, Russia
TEL: +7 (919)300-00-06

Mid East Branch

Saikang Medical Supplies (Mid East) LLC

Musaffah
P.O Box 53200, Abu Dhabi,
UAE
Tel: +971 585710652

SAIKANG / Medical

Jiangsu Saikang Medical Equipment Co., Ltd.
STOCK CODE: 870098

📍 No. 35, Lehong Road · Zhangjiagang (Jiangsu) · China

☎ +86 18021231901 · 🕒 24/7

✉ sales@saikangmedical.com

🌐 www.saikangmedical.com



Company video



General catalogue