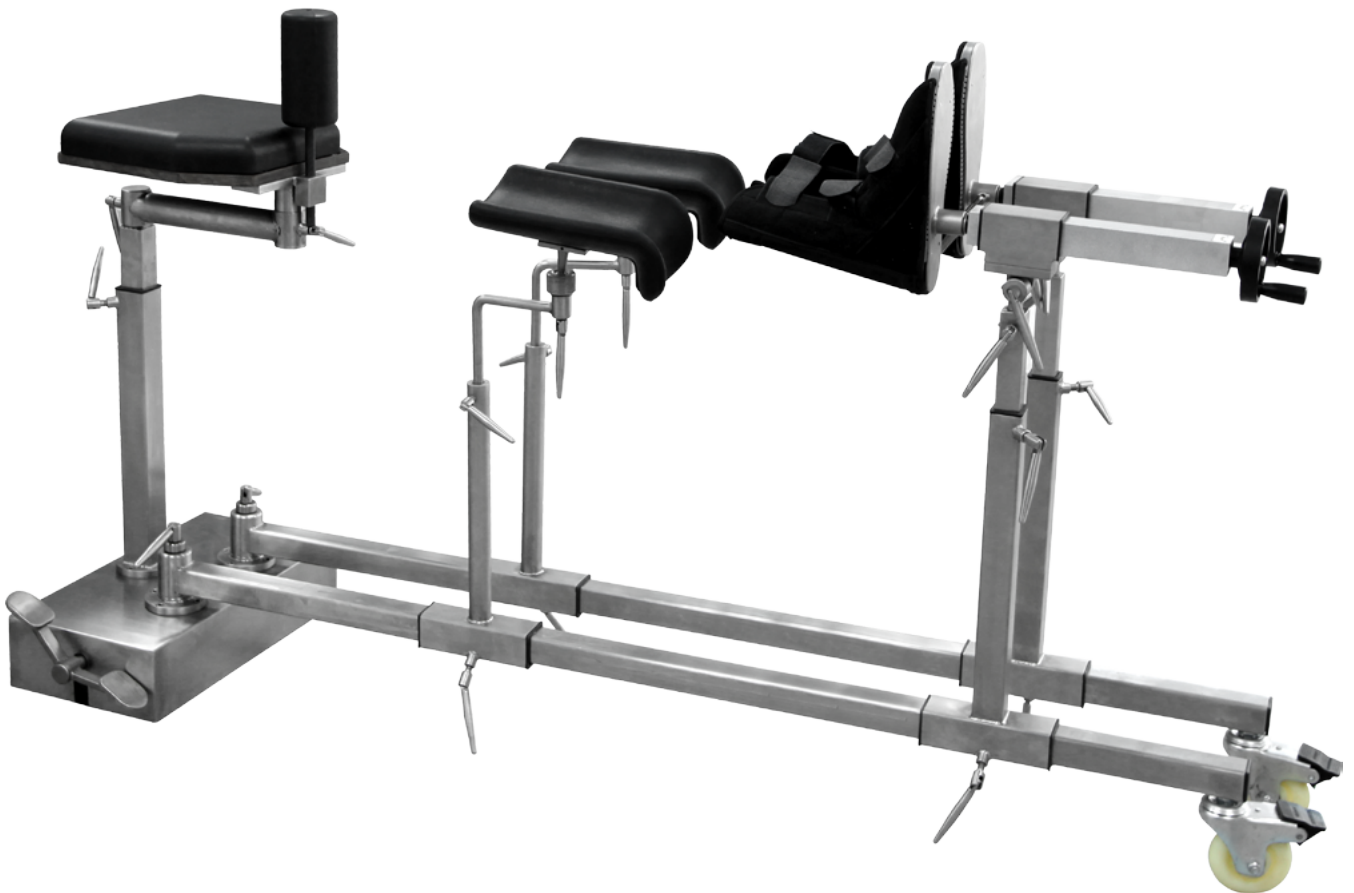




# A03

## MULTI-FUNCTIONAL ORTHOPEDIC FRAME

Registration code: SKT-C



**SAIKANG** / Medical

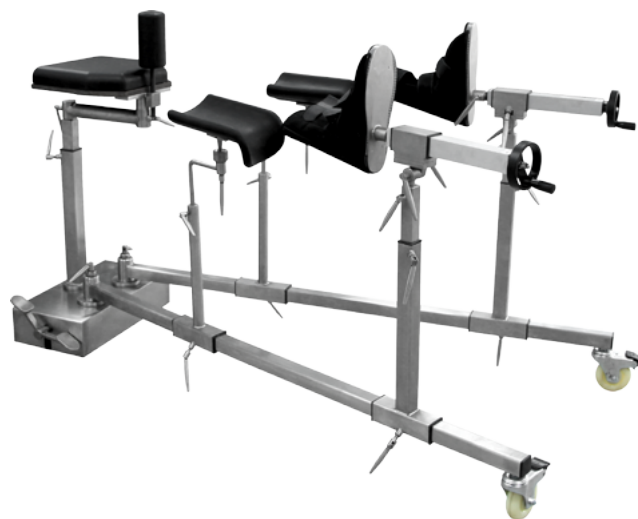
Healthier  
your life

# A03

## FEATURES AND HIGHLIGHTS

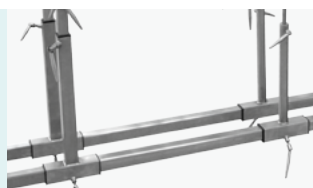
### Technical parameters

▪ External Length	1700-1900 mm
▪ External Width	480 mm
▪ Table Height Min.	770 mm
▪ Table Height Max.	1020 mm
▪ Traction stroke	≥200 mm



#### Structural design

The main structure is made of high quality stainless steel, which is durable.



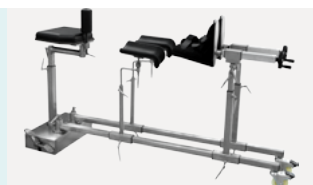
#### Application

During the operation, using the traction frame can make the patient easily achieve a good reduction effect, which obviously helps the operation progress of the operation.



#### Tow bar

The tow bar can change the angle greatly. It has a telescopic design. In addition to the 360° rotation of the fixed ankle, it can also be removed and replaced with other accessories.



#### Lifting column

The pelvic frame on the lifting column can also be connected to the side lying or articulated frame, which can adapt to people of different body types.



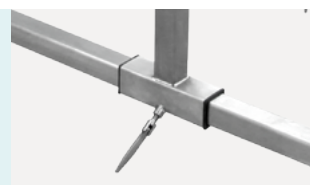
#### Castor

Industrial casters, foot pedal brakes, easy to move, simple to operate, reliable performance.



#### Sleeve tube

Long sleeve tube with adhesive strips inside, more stability.



#### Foot support

With scales on the foot support, makes the adjustment more intuitive.



#### Shoe cover

The shoe cover is easy to bind and can adapt to different sizes of feet.



#### Leg support

Polyurethane integrated leg support, easy to sterilize and durable.



#### Cushion

The cushion is wide and comfortable with large adjustment range, carbon fiber gear lever with good X-ray transparency.





## CONSTANT INNOVATION



Design



Research



Manufacturing



Maintenance



Service



## WORLDWIDE BRANCHES

### USA

**Saikang Medical Technology, Inc.**  
17800 Castleton St Ste 180,  
City of Industry, 91748, California.  
Tel.: +1 949648 2776

### United Kingdom

**UK Healthward International Ltd.**  
Dept. 111, 196 High Road Wood  
Green, N22 8HH, London.  
Tel.: +44 2032399738

### Russia

**Saikang Medical Russia LLC**  
Truda 174,  
454080 Chelyabinsk.  
Tel.: +7 (351) 214 5566 / 8811 / 1516

### East Africa

**Saikang Medical Solutions Ltd.**  
Viraj Complex Unit 3, Mombasa  
Road, P.O. Box 14262-00800, Nairobi.  
Kenya.  
Tel.: +254 733 704 690

### Middle East

**Saikang Medical Supplies LLC**  
X22-S03 England Cluster,  
International City, Dubai.  
United Arab Emirates.  
Tel.: +20 128 8962497

# SAIKANG / Medical

Jiangsu Saikang Medical Equipment Co., Ltd.  
STOCK CODE: 870098

📍 No. 35, Lehong Road · Zhangjiagang (Jiangsu) · China

☎️ +86 18021231901 · 📞 24/7

✉️ sales@chinasaikang.com

🌐 www.saikangmedical.com



Company video



General catalogue